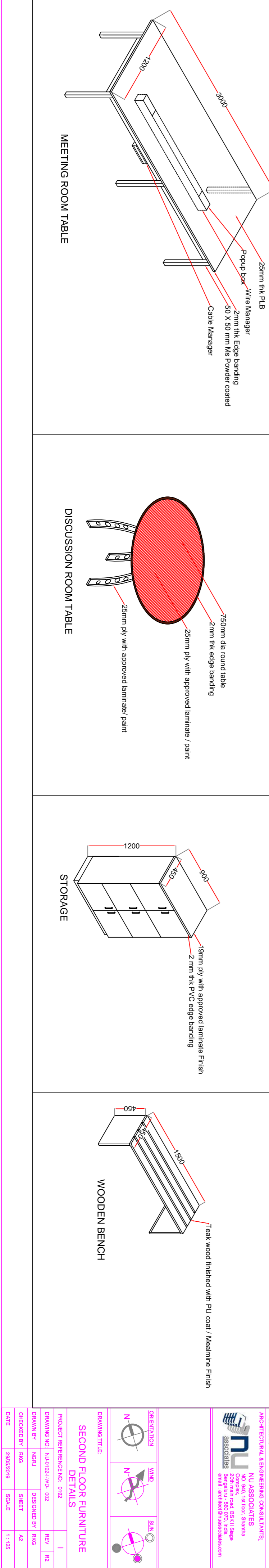
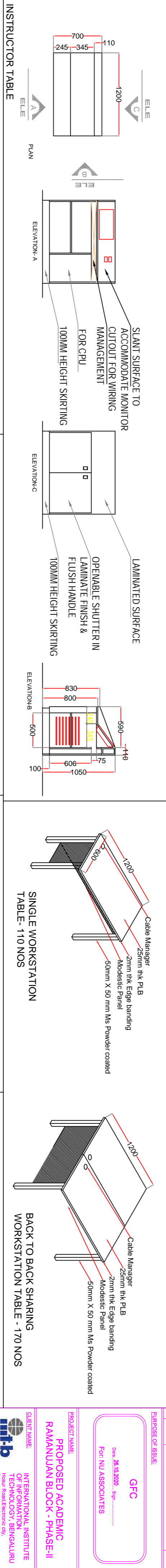
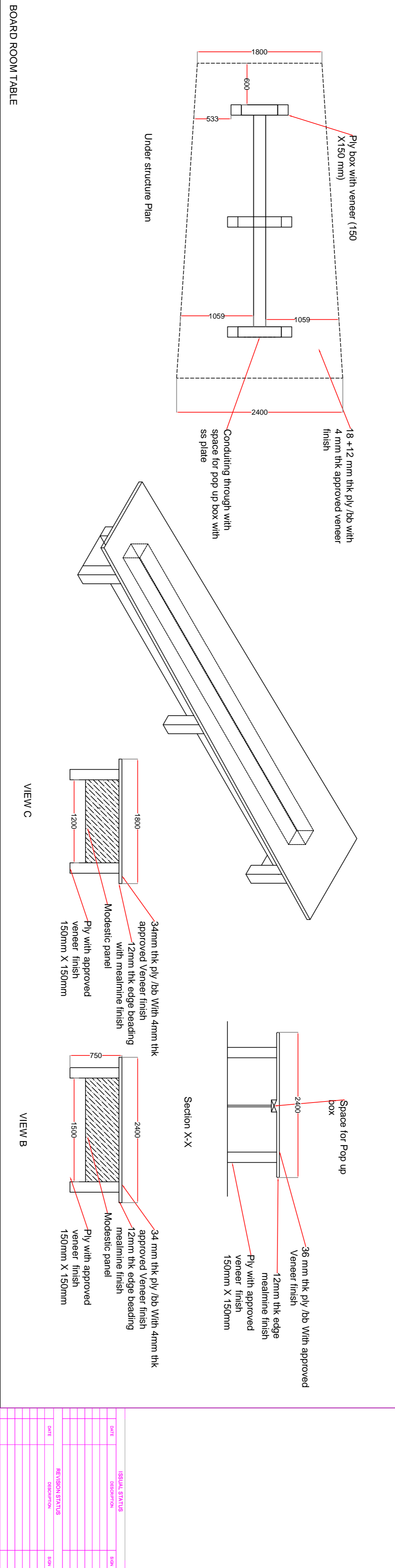
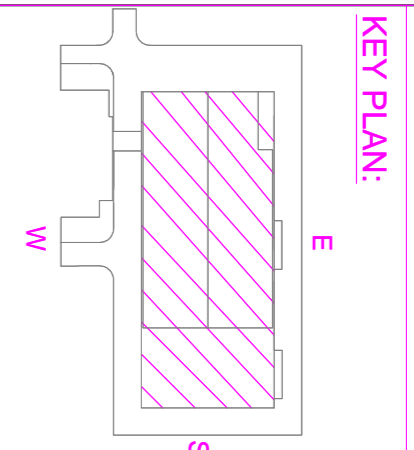


GENERAL NOTE:

1. ALL DIMENSIONS ARE IN MM.
2. ALL DIMENSIONS ARE TO BE CHECKED ON SITE. ANY QUARIES TO BE CLARIFIED WITH THE ARCHITECT.
3. ALL LEVELS ARE IN MM UNLESS STATED OTHERWISE.
4. ALL COLUMN LOCATIONS ARE TENTATIVE AND ARE SUBJECT TO CHANGE POST DETAILED STRUCTURAL ANALYSIS.



PURPOSE OF SCALE:

GFC
Date: 26.10.2020
For: NU ASSOCIATES

PROJECT NAME:
PROPOSED ACADEMIC
RAMANUJAN BLOCK - PHASE-II

CLIENT NAME:
INTERNATIONAL INSTITUTE
OF INFORMATION
TECHNOLOGIES, BENGALURU
INDIA

ARCHITECTURAL & ENGINEERING CONSULTANTS:
NU ASSOCIATES
NU ASSOCIATES
20th main road, BSK-II Stage
Complex, 1st floor, Shivam
Nagar, Bengaluru-560010
email: info@nuassociates.com

OPERATION: N, WIND, SUN

DRAWING TITLE:
SECOND FLOOR FURNITURE
DETAILS

PROJECT REFERENCE NO: 01B2

DRAWING NO	NU/01B2-LND-002	REV	R2
DRAWN BY	RKG	DESIGNED BY	RKG
CHECKED BY	RKG	SHEET	A2
DATE	23/05/2019	SCALE	1 : 125